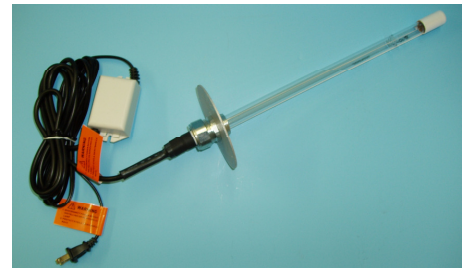


# ID-135 In-Duct Air Purifier Operating Instructions

## Product Overview

The in duct air purifier has been designed to make it easy to provide an odor and germ free environment in your home or at your commercial premises. You simply attach the unit into your return plenum and turn the power on to kill odors, bacteria and mold found in your air ducts. This unique bulb is 85% germicidal and 15% ozone – this combination delivers purification and odor control for an area up to 2,300 square feet. It is easy to operate, simple to install and virtually maintenance free.

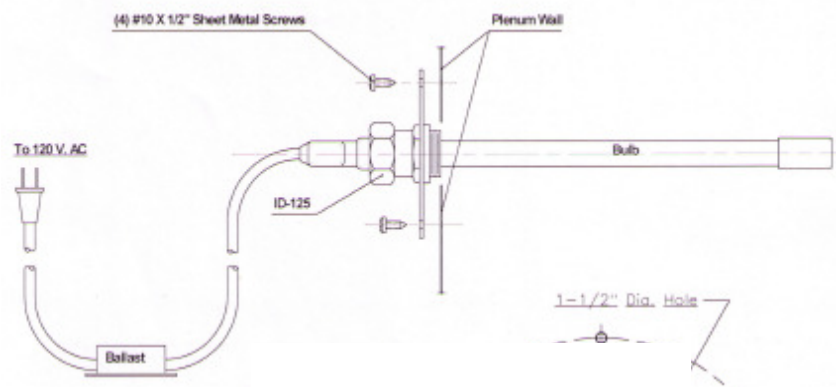


## Safety Information

- Do not look at the bulb with the naked eye
- Do not touch the bulb during installation

## Installation Instructions

1. Find the appropriate power connection for the ID-135, 120V AC. Your connection options include:
  - a. Bring power from a wall outlet
  - b. Bring power from the HVAC unit
  - c. Bring power from the HVAC unit fan
2. Using a  $1\frac{3}{8}$  -  $1\frac{1}{2}$ " hole saw, drill a hole on the return side plenum making sure you have the appropriate clearance for the bulb inside the plenum.
3. Place the ID-135 into the plenum, hold it in place and mount with the self tapping screws.
4. Attach the ballast of the ID-135 to the plenum using the self tapping screws.
5. Bring power to the ID-135 in-duct unit.



## Specifications

- Power: 120V AC
- Ozone output: up to 35 mg/hr
- Bulb rated at 9,000 running hours
- Dimensions: bulb (L) 14"; mounting disk (circumference) 4"; complete length 16"
- Weight: 1.4 lb

## Parts List

- 1 x 14" bulb
- 1 x 4" mounting disk
- 1 x  $\frac{3}{4}$ " nut
- 1 x 12 foot long power cord
- 4 x  $10 \times \frac{1}{2}$ " sheet metal screws
- 1 x 120V AC rapid start electronic ballast

## Warranty

- One year

# ID-135 In-Duct Air Purifier Operating Instructions

## Bulb replacement

1. Loosen the  $\frac{3}{4}$ " nut on the mounting plate and pull the bulb from the fitting.
2. Pull the old bulb from the electrical connector. Push the new bulb into the electrical connector.
3. Push the bulb and connector through the hole in the mounting plate and tighten the  $\frac{3}{4}$ " nut.

Drawing for the ID-135

